

I-1090 SCSI - to - IBM Channel Tape Gateway

The I-1090 Channel Tape Gateway provides connectivity to IBM 3480, 3490, 3590 and compatible tape systems and tape libraries, including IBM 3494/95, EMASS/GRAU, StorageTek, Memorex Telex and Comparex for UNIX Systems, workstations, networks and personal computers via a SCSI Interface.

Mainframe Tape Systems for SCSI Hosts

The SCSI-to-Channel Gateway is a powerful tool for SCSI based systems to use IBM compatible tape systems and libraries or to share it with IBM mainframes and mid-range systems.

It also helps to protect hardware investments of IBM channel architecture based peripherals, while downsizing to UNIX systems.

SCSI Support

The Gateway provides a SCSI-2 interface, supporting 1 to 8 tape drives. The interface can be configured for asynchronous or synchronous operation and features SCSI Fast Wide and Ultra Fast up to 40 megabytes per second. Differential interface support is available as an optional feature.

The I-1090 SCSI-to-IBM Channel Tape Gateway operates with a variety of, UNIX Systems workstations, local area networks and personal computers. It is supported by all popular operating systems, including UNIX, Windows NT and OS/2. Software device drivers are available for many applications.

ESCON and Block Multiplex Channel Support

The Gateway features one or two ESCON or Block Multiplex output channels.

One to eight tape storage control units can be daisy chained on the block multiplex channel interface and each tape control unit can control up to eight tape drives.

Supported tape drives:

- IBM 3420, 3480 and IBM 3490, 3590
- IBM's 3494/95 tape libraries
- Storage Tek
- Memorex Telex
- HDS
- Comparex
- SNI
- EMASS/GRAU.

Support for other Channel Architecture Peripherals

The Gateway also supports other devices, such as laser printers and impact printers. It allows sharing resources by different system platforms and protects hardware investments of channel based peripherals during rightsizing and downsizing projects.

Highlights

SCSI-2 Interface

- 1 to 4 physical units
- 1 to 8 logical units
- Synchronous operation
- Asynchronous operation
- SCSI Fast support (10 MB/s)
- SCSI Wide support (20 MB/s)
- Single ended interface
- Differential interface

IBM Channel Interface

- ESCON
- Block Multiplex Channel

Supported Tape Systems

- IBM 3420, 3480, 3490, 3590
- SNI 3519, 3580, 3590, 3591
- StorageTek, Memorex Telex, Comparex, HDS

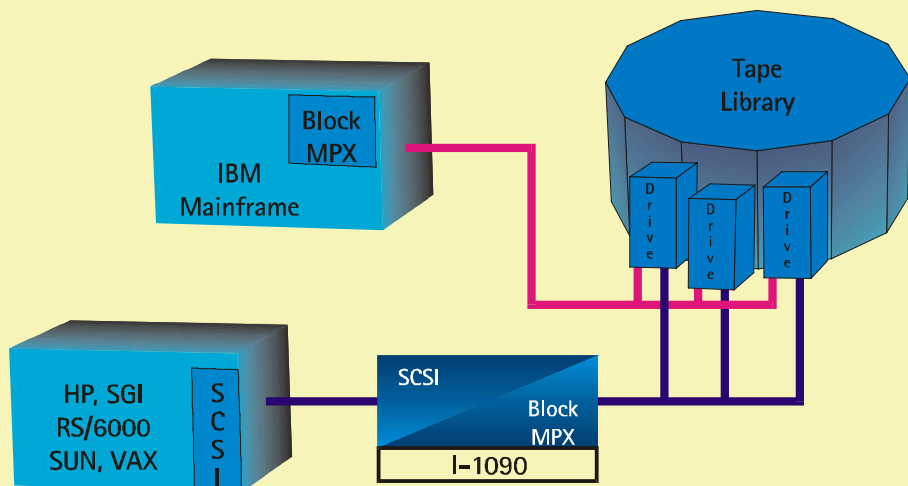
Supported Libraries

- IBM 3494, 3495, EMASS/GRAU, StorageTek, Memorex Telex, SNI

Other Supported Devices

- Laser Printer
- Impact Printer

I-1090 SCSI - to - IBM Channel Tape Gateway



Specifications

SCSI-Interface

SCSI-2 Fast and Wide
8 physical units (PU)
8 logical units per PU
Single ended interface
Differential interface

Channel Interface

ESCON
IBM Block Multiplex Channels
(according FIPS60 specs)

Supported Tape Systems

IBM 3420, 3480, 3490, 3590
SNI 3519, 3580, 3590, 3591
STK, Memorex / Telex, Comparex, HDS

Supported Tape Libraries

IBM 3494, 3495
StorageTek, Memorex Telex, Comparex
EMASS/GRAU

Power Requirements

Voltage	98 to 132 V 206 to 240 V
Frequency	47 to 63 Hz
Power	230 Watt

Operating Environment

Voltage	110/220V
Power	50 Watt

Dimensions

Width:	17.6 inches (44,7 cm)
Height:	4.0 EIA HU (17,8 cm)
Depth:	19.7 inches (50,0 cm)
Weight:	17.6 lbs. (8,0 kg)

Westpoint Peripherals Ltd
Felton Lane
Felton
Bristol, BS40 9UX
Tel: +44 (0)1275 474740
Fax: +44 (0)1275 474760
E-mail: sales@wpoint.co.uk
<http://www.wpoint.co.uk>